

**STAND urinal technical specification**  
**No. TS14-0001**

Date: 17.12.2014

Manufactured by PAA Ltd, by order of SIA Jursons  
Designed and manufactured under Harmonised technical specification **EN 13407:2006**.

According to the CEN/CENELEC Internal Regulations, the national standards organisations of the following countries are bound to implement this European Standard: Austria, Belgium, Cyprus, Czech Republic, Denmark, Estonia, Finland, France, Germany, Greece, Hungary, Iceland, Ireland, Italy, Latvia, Lithuania, Luxembourg, Malta, Netherlands, Norway, Poland, Portugal, Romania, Slovakia, Slovenia, Spain, Sweden, Switzerland and United Kingdom.

1) Annexes:

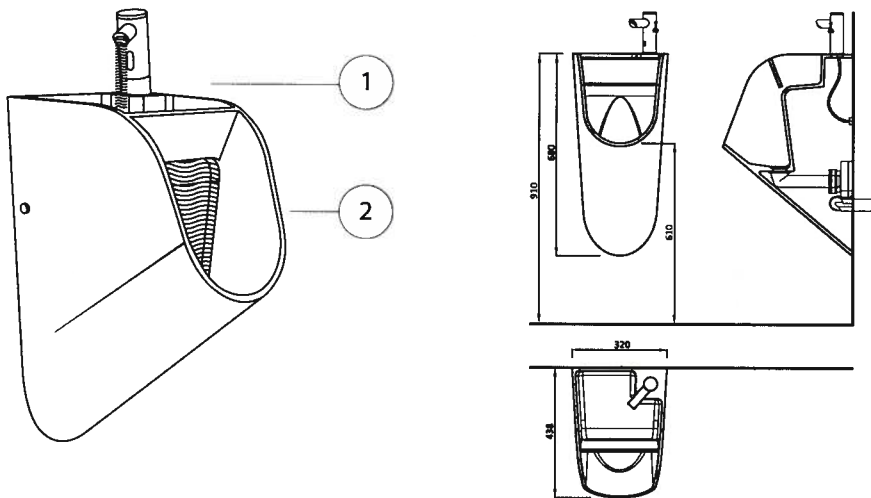
**DECLARATION OF PERFORMANCE**  
**No. PAA-UR-22/2013**

2) Unique product code (used in manufacturing line):

**STAND**

3) Product description:

STAND urinal combines two functions in one product - sink<sup>1</sup> and urinal<sup>2</sup>. Design of the product is made so that the sink is placed above the urinal. Design principle provides that water used for hand washing is reused for urinal flushing.



4) Consumption of resources:

Water consumption - 0,2l/s supplied by a dedicated flushing valve.

Ergonomic space required - 1,5m<sup>2</sup>

**JURSONS**  
design & trade

SIA Jursons  
Reg No. 40103425294  
VAT No. LV40103425294  
Ojara Vaciesa street 22-7 Carnikavas distr., Latvia LV-2163  
A/S Swedbank  
LV94HABA0551030850533

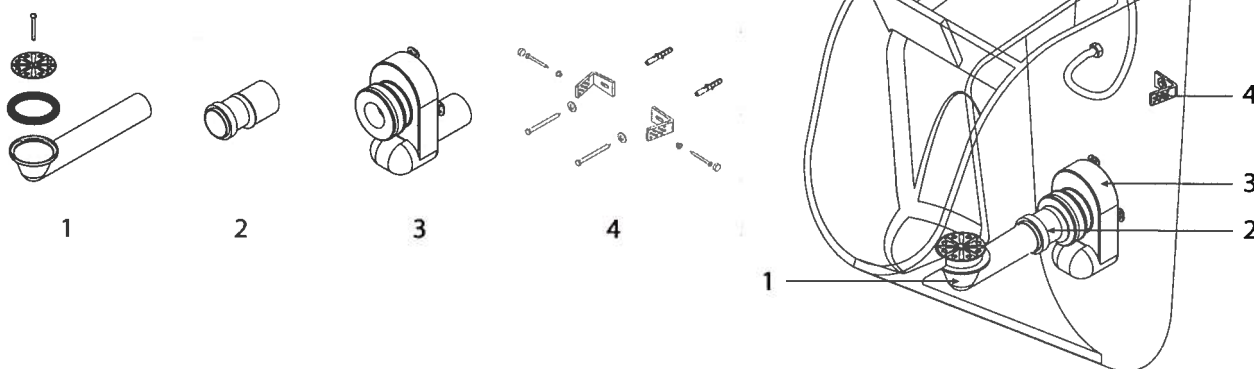
  
Kaspars Jursons  
/board member/  


**STAND urinal technical specification**  
**No. TS14-0001**

Date: 17.12.2014

**5) Standard product equipment**

- 1 - Drain, inlet 63mm outlet 40mm
- 2 - Pipe reducer, inlet 40mm outlet 50mm
- 3 - Siphone, inlet 50mm outlet 50mm
- 4 - Wall fastenings



**6) Recommended equipment**

- Option a - Infrared washbasin faucet
- Option b - manually operate washbasin faucet

**7) Production technology**

STAND urinal-sink is cast in polimer sintetic stone (stoneware). The material is a composite consisting of polyester resin and fillers - silica and calcium carbonate. Surface cover - gelcoat coating.

**JURSONS**

design & trade

SIA Jursons  
Reg No. 40103425294  
VAT No. LV40103425294  
Ojara Vaciesa street 22-7 Carnikavas distr., Latvia LV-2163  
A/S Swedbank  
LV94HABA0551030850533

Kaspars Jursons  
/board member/

