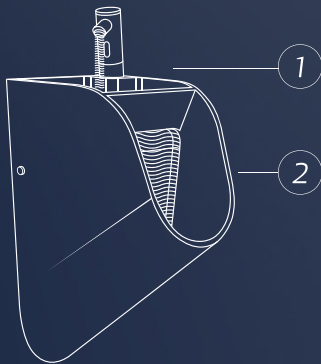




Urinal - sink

STAND
LATVIAN DESIGN TOWARDS
A MORE SUSTAINABLE LIVING
EST. 2011

2 in 1 concept



- 1 - sink
- 2 - urinal

Size of the sink is 300 x 300 x 90 mm which is ergonomic and compact hand-washing sink size. It is designed so that the hand washing water in an elegant and simple way leak underneath to rinse the urinal.

It is possible to combine the sink with the most of the standard washbasin water-mixers of different design.

Urinal shape is designed to minimize splashing of urine and water while ensuring the feasibility of the flushing it with the hand washing water.



Sustainable design

water up to 50%

Equipped with the appropriate faucet STAND can save up to 50% of water comparing with classic urinal and sink.

space

In a timely manner when planning new buildings or renovations anticipating a space for STAND urinal-sink it is possible to save valuable space by placing the two essential restroom functions in one place.

time

By equipping heavy duty toilets with STAND is possible to significantly increase the flow of people and space efficiency.



fittings

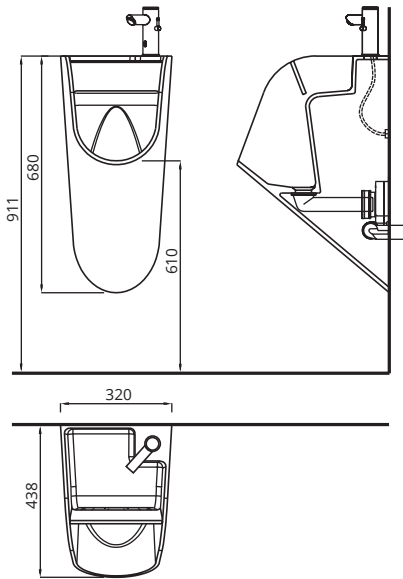
STAND urinal-sink is designed so that it fully fitted with standard components:

- wall fastenings
- drainage;
- pipe reducer;
- siphone.

To make STAND urinal-sink superefficient it is recommended to equip unit with infrared sensor water mixer.



Specification



STAND urinal-sink is cast in polymer sintetic stone (stoneware). The material is a composite consisting of polyester resin and fillers - silica and calcium carbonate. The gelcoat surface coating provides colour and shine.

Weight: ~16,5 kg

Dimensions: 680 x 435 x 320 mm

Drainage outlet: horizontal

Drainage diameter: 50mm

Fastenings: to the wall

Water supply: cold, warm



SIA Jursons
e-mail: kaspars@jursons.com
phone: +372 28814929